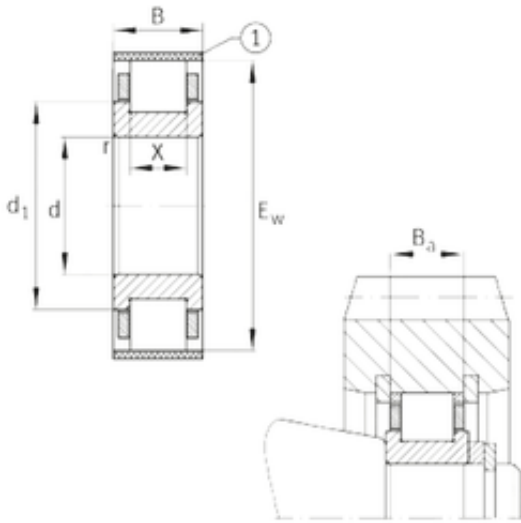




Metallurgy Heavy Bearing Manufacturin...



FAG RN332-E-MPBX FAG Bearing

Bearing No. RN332-E-MPBX

Size	160x300x68 mm
Bore Diameter	160 mm
Outer Diameter	300 mm
Width	68 mm
d	160 mm
Ew	300 mm
B	68 mm
Ba	63,7 mm
X	48 mm
d1	221,6 mm
r min.	4 mm
Weight	21,2 Kg
Basic dynamic load rating (C)	865 kN

RN332-E-MPBX Bearing 2D drawings and 3D CAD models