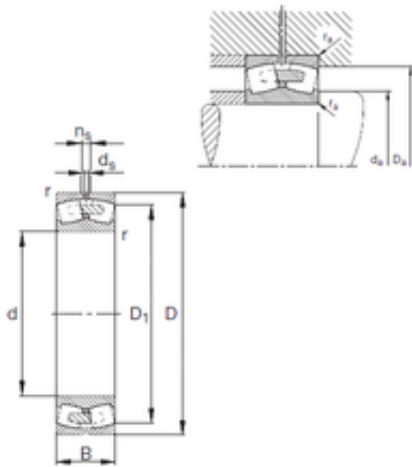




## Metallurgy Heavy Bearing Manufacturin...



400 mm x 600 mm x 148 mm 400 mm x 600 mm  
x 148 mm FAG 23080-E1A-MB1 FAG Bearing

Bearing No. 23080-E1A-MB1

23080-E1A-MB1 Bearing 2D drawings and 3D CAD models

Size	400x600x148 mm
Bore Diameter	400 mm
Outer Diameter	600 mm
Width	148 mm
d	400 mm
D	600 mm
B	148 mm
C	148 mm
n	23,5 mm
r min.	5 mm
D1	541,9 mm
da min.	418 mm
Da max.	582 mm
ra max.	4 mm
d5	12,5 r/min
Weight	147 Kg
Basic dynamic load rating (C)	3400 kN
Basic static load rating (C0)	5700 kN
Fatigue load limit (Pu)	465
Reference speed	700 r/min
Limiting speed	1 330 r/min
Calculation factor (e)	0,22
Calculation factor (Y0)	3
Calculation factor (Y1)	3,07
Calculation factor (Y2)	4,57



## Metallurgy Heavy Bearing Manufacturin...