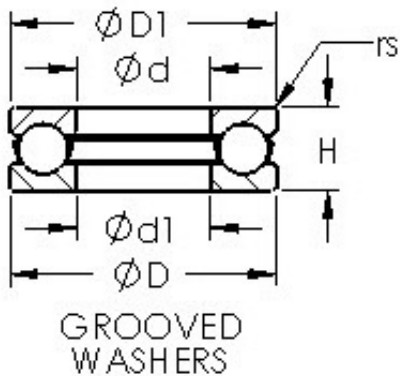




Metallurgy Heavy Bearing Manufacturin...



AST 51106 AST Bearing

Bearing No. 51106

Bore Diameter	30 mm
Outer Diameter	47 mm
Bearing Type	with grooved raceway(s)
Bore Dia (d)	30.0000
Outer Dia (D)	47.0000
Radius (min) (rs)	0.600
Static Load Rating (Cor)	39,900
Dynamic Load Rating (Cr)	18,600
Max Speed (Grease) (X1000 RPM)	4
Max Speed (Oil) (X1000 RPM)	6
Height (H)	11.0000
Outer Dia. Pilot (D1)	47.0000
Bore Dia. Clearance (d1)	32.0000
Weight (g)	67.00
Material	52100 chrome steel, or equivalent.

51106 Bearing 2D drawings and 3D CAD models