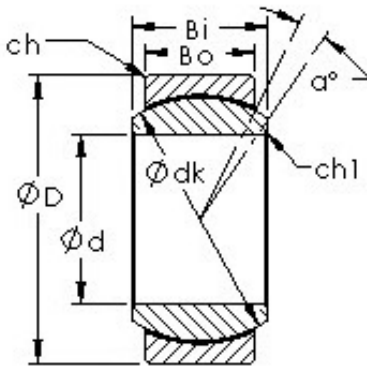




# Metallurgy Heavy Bearing Manufacturin...



## AST GEG12C AST Bearing

Bearing No. GEG12C

Bore Diameter	12 mm
Outer Diameter	26 mm
Bearing Type - high misalignment	high misalignment
Bore Dia (d)	12.0000
Outer Dia (D)	26.0000
Outer Width (Bo)	9.0000
Inner Width (Bi)	15.0000
Dynamic Load Rating (Cr)	18,000
Static Load Rating (Cor)	45,000
Max. shaft corner radius, or 45 deg. chamfer (ch1)	0.300
Max. housing corner radius, or 45 deg. chamfer (ch)	0.300
Spherical Diameter (dk or Dk)	22.000
Mis-alignment Angle (a deg.)	18
Weight (g)	33.00
Material - Outer Ring - Carbon steel, Inner ring	52100 Chrome steel, or equivalent

GEG12C Bearing 2D drawings and 3D CAD models